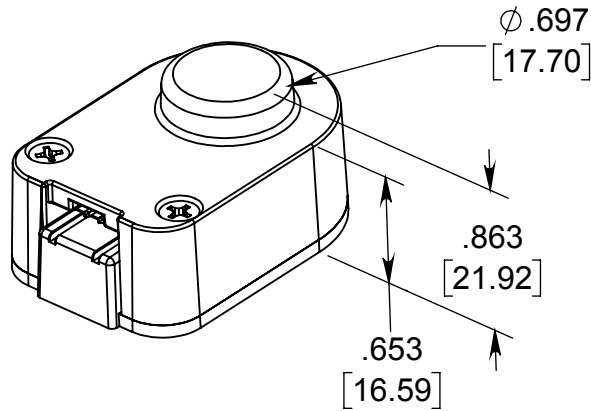


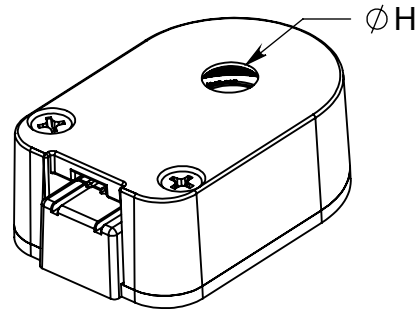
E5 Optical Kit Encoder Base & Cover Options

RELEASE DATE: 1/7/2020

E-OPTION COVER
(EXTENSION FOR SHAFT LENGTHS UP TO .750 [19.05])

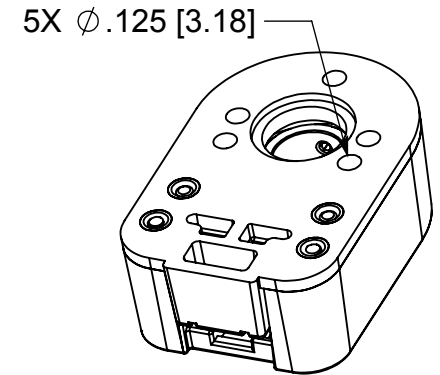


H-OPTION COVER
(COVER HOLE FOR SHAFT LENGTHS OVER .750 [19.05])

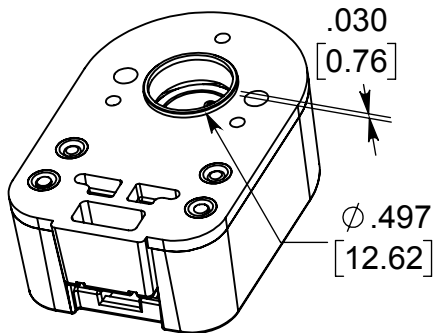


H = .295 [7.49] FOR SHAFT SIZES $\leq \phi .250$ [6.35]
 H = .438 [11.13] FOR SHAFT SIZES $> \phi .250$ [6.35]

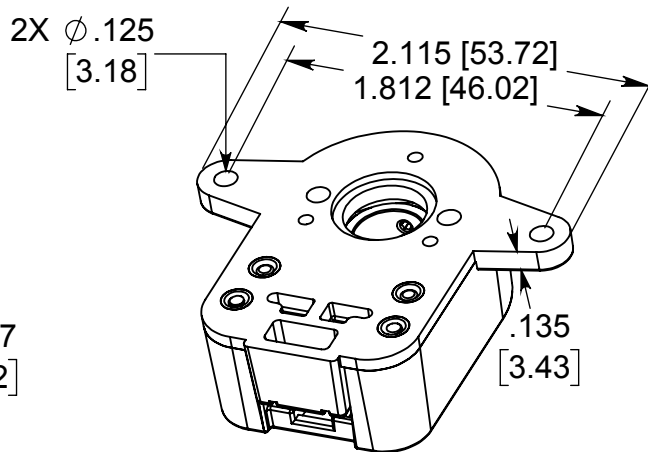
3-OPTION BASE
(LARGER MOUNTING HOLES)



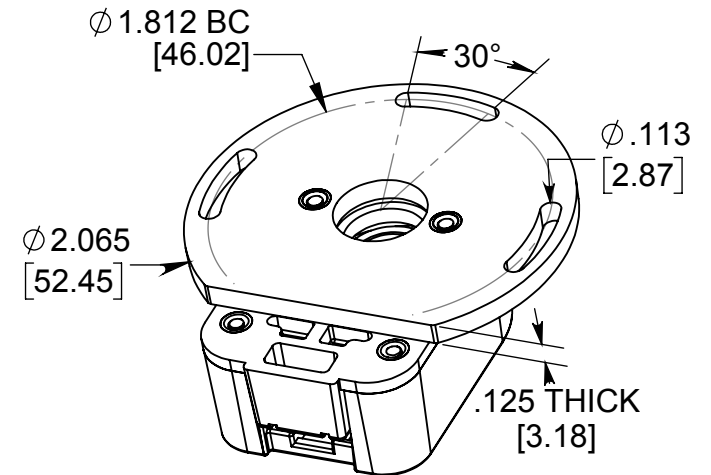
A-OPTION BASE
(ALIGNMENT BOSS)



G-OPTION BASE
(1.812" MOUNTING)



R-OPTION BASE
(ROTATIONAL MOUNTING)



REQUIRES ADDITIONAL .125 [3.18] SHAFT LENGTH