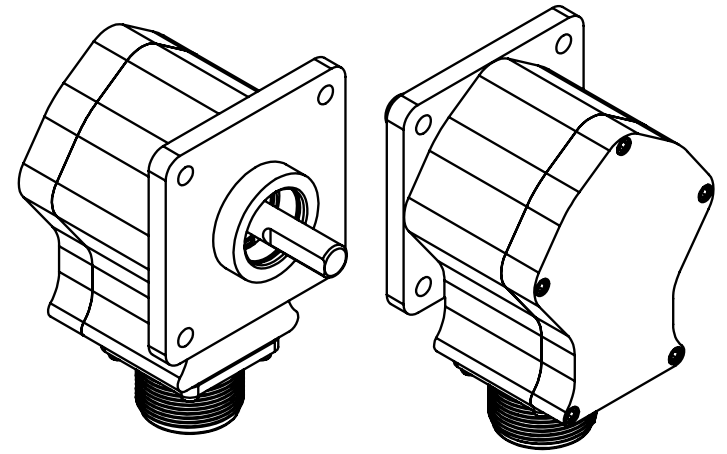


# HD25A Industrial Absolute Shaft Encoder



RELEASE DATE: 7/12/2017

