



PC5 Features

- Broadcom/Avago HEDL compatible output



PC5 Product Description

The PC5 is a small, plug-in RS-422 cable driver board that drives long cables up to 1000 feet using differential signaling to improve noise immunity. The PC5 can be used with the E2

(<https://www.usdigital.com/products/encoders/incremental/kit/e2/>), E3 (<https://www.usdigital.com/products/encoders/incremental/kit/e3/>), H1 (<https://www.usdigital.com/products/encoders/incremental/shaft/h1/>), H3 (<https://www.usdigital.com/products/encoders/incremental/shaft/h3/>), S1 (<https://www.usdigital.com/products/encoders/incremental/shaft/s1/>), and S2 (<https://www.usdigital.com/products/encoders/incremental/shaft/s2/>) encoders. Each board has a 5-pin socket designed to plug into the 5 pins of the encoder.

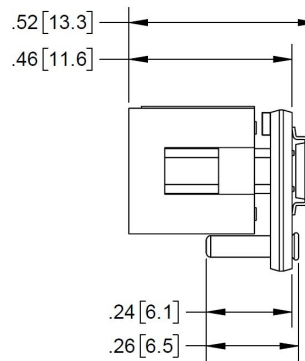
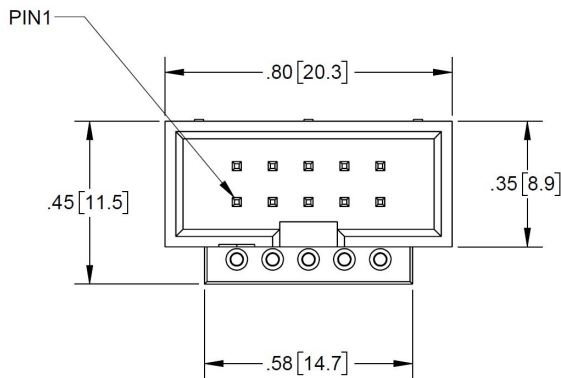
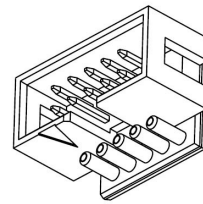
The output side of the PC5 is a 10-pin latching connector with a Broadcom/Avago compatible pinout (HEDL series). On the output side, the PC5 can use ribbon cables for lengths up to 100 feet; twisted pair cables are recommended for longer lengths. An optional 120 Ω terminating resistor may be placed across each pair on the receiver side of the cable, matching the cable's characteristic impedance. When calculating the power requirements of the encoder side of the cable, including the current consumed by the module, the driver IC and any terminating resistors. Be sure to supply sufficient voltage to compensate for the voltage drop due to the resistance of the power and ground wires. If an RS-422 receiver chip such as 26C32 is used on the receiver side of the cable, a 0.1 μ F ceramic monolithic bypass capacitor across +5V and ground located within 1 inch of the receiver chip is recommended.

Mechanical Drawings



PC5 Broadcom / Avago Compatible Incremental Encoder Cable Driver

RELEASE DATE: 03/22/2021



1400 NE 136th Avenue
Vancouver, Washington 98684, USA

info@usdigital.com
www.usdigital.com

Local: 360.260.2468
Toll-free: 800.736.0194

UNITS: INCHES [MM]
METRIC SHOWN FOR REFERENCE ONLY

Specifications

ENVIRONMENTAL

PARAMETER	MIN.	MAX.	UNITS
Operating Temperature	-40	100	C
Electrostatic Discharge, Human Body Model	-2	2	kV



1400 NE 136th Ave.
Vancouver, WA 98684
USA

info@usdigital.com
sales@usdigital.com
support@usdigital.com

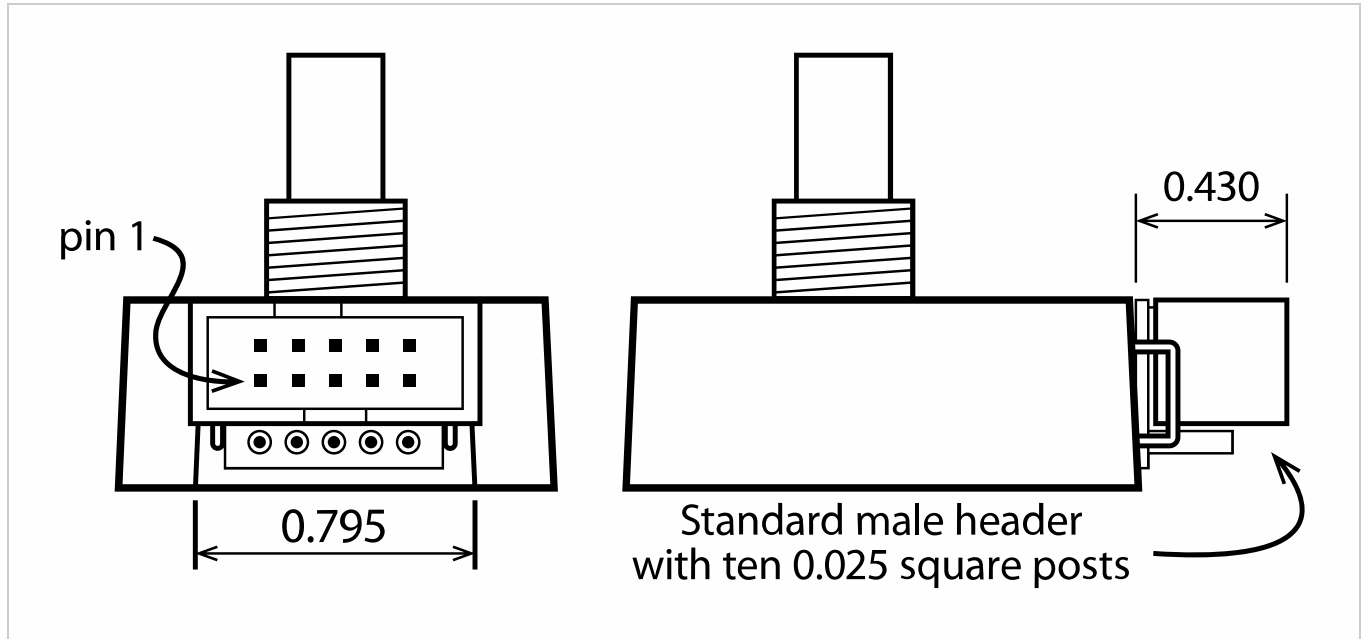
Toll Free: **800.736.0194**
Worldwide: **360.260.2468**
Support: **360.397.9999**



MECHANICAL

THE CABLE DRIVERS SHOWN BELOW ARE COMPATIBLE ONLY WITH THE E2, E3, H1, H3, S1 AND S2.

PC5 Differential cable driver board. (shown mounted on an S1 encoder).



ELECTRICAL

PARAMETER	MIN.	TYP.	MAX.	UNITS	NOTES
Supply Voltage	4.5	-	5.5	Volts	-
Supply Current (26C31)	-	1	2	mA	-
Output High Voltage	2.5	-	-	Volts	IOH = -20 mA
Output Low Voltage	-	-	0.8	Volts	IOL = 20 mA
Propagation Time	-	-	15	ns	-

CONNECTORS

PRODUCT	DRIVER HEADER	CONNECTOR MATES WITH
PC5-H10	TE# 103309-1	CON-C10*

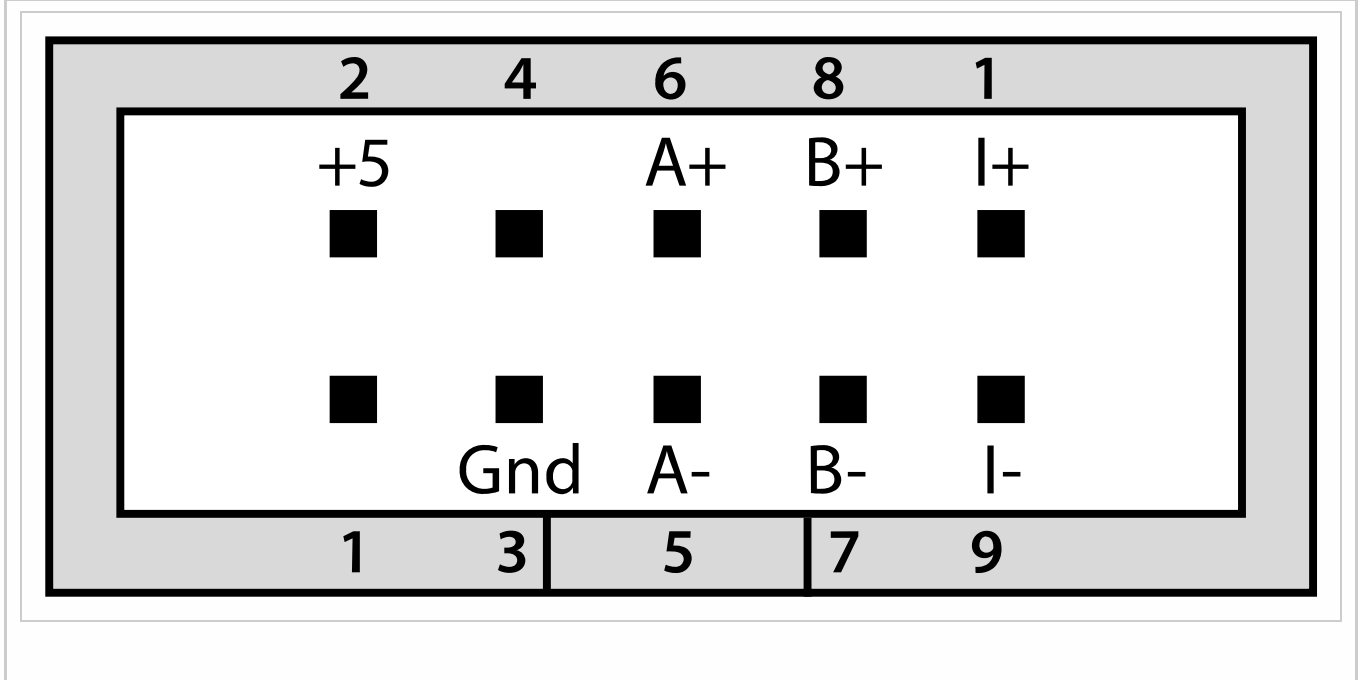
* US Digital part number. For more information see the Cables (<https://www.usdigital.com/products/accessories/cables/>) / Connectors (<https://www.usdigital.com/products/accessories/connectors/>) page.



PIN-OUTS

PC5-H10 BROADCOM / AVAGO COMPATIBLE OUTPUT

PIN	DESCRIPTION
1	No connection
2	+5VDC power
3	Ground
4	No connection
5	A- channel
6	A+ channel
7	B- channel
8	B+ channel
9	Index-
10	Index+





PRODUCT CHANGE NOTIFICATIONS

Title	Date	Description	Download
PC3-H5, PC4, PC5 and PC6 Laser Markings - PCN 6228	9/27/2017	This notification is to inform our customers of a product marking change for the PC3-H5, PC4, PC5, and PC6 products. The purpose for this change is to create a more robust solution by utilizing laser marking versus the current paper label solution. The products effected will now be laser marked.	Download (https://www.usdigital.com/support/resources/product-change-notifications/pcn-6228-pc3-h5-pc4-pc5-pc6-markings/)

Notes

- Cables and connectors are not included and must be ordered separately.
- US Digital® warrants its products against defects in materials and workmanship for two years. See complete warranty (<https://www.usdigital.com/company/warranty/>) for details.