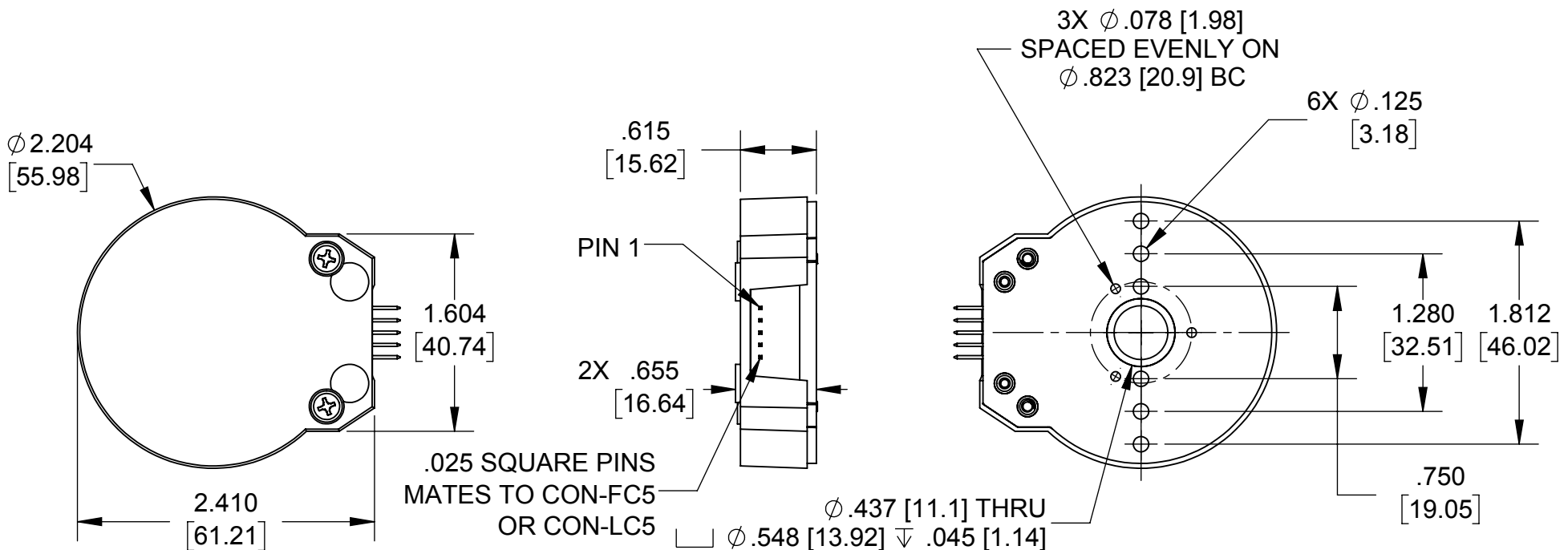
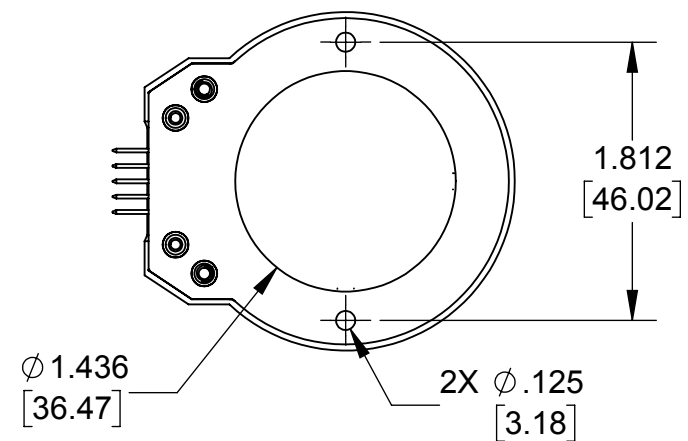
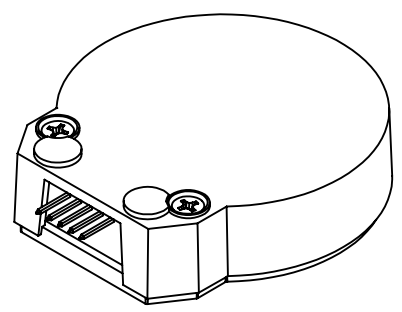


# E3 Optical Kit Encoder (Default)

RELEASE DATE: 7/8/2019



BASE OPTION FOR SHAFTS  $\leq \phi .394$  [10]



BASE OPTION FOR SHAFTS  $> \phi .394$  [10]