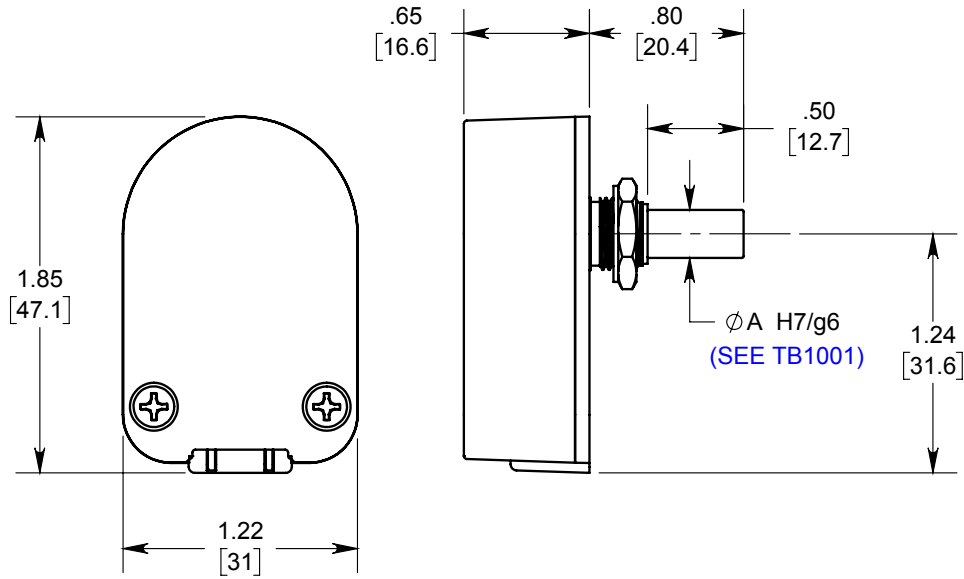


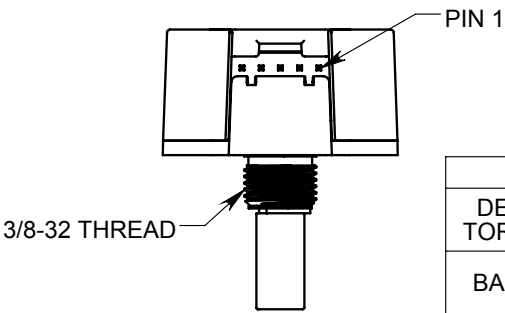
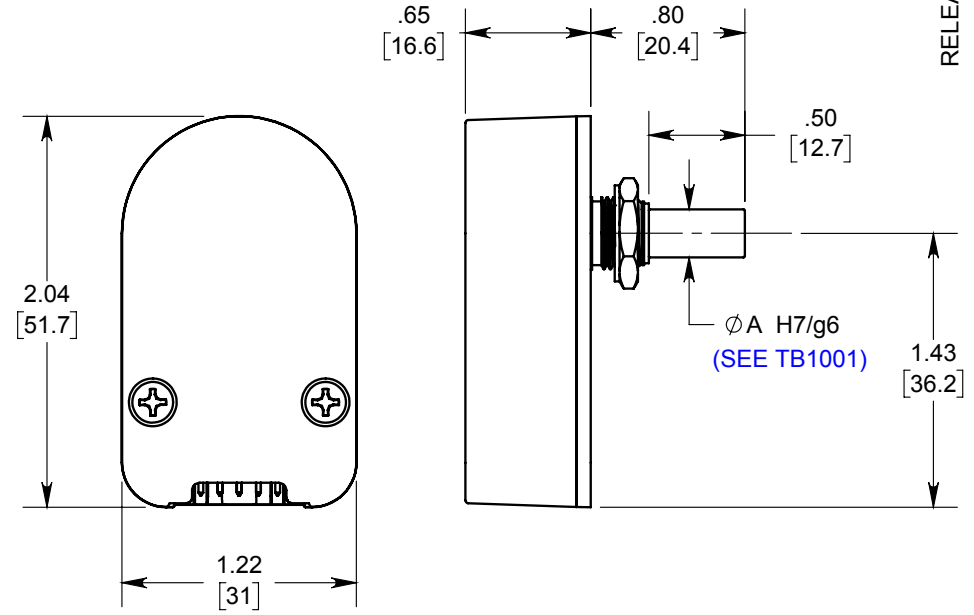
S5 Optical Shaft Encoder

RELEASE DATE: 03/19/2018

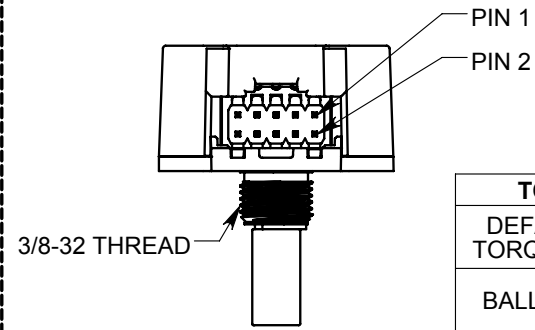
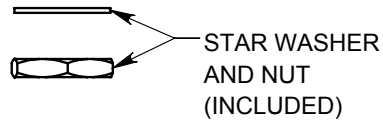
**SINGLE-ENDED OUTPUT VERSION
(5 PIN)**



**DIFFERENTIAL OUTPUT VERSION
(10 PIN)**



TORQUE	SHAFT ϕ	A
DEFAULT / NO TORQUE ADDED	6mm (.236)	.2362 [6]
	1/4" (.250)	.2500 [6.35]
BALL BEARING	6mm (.236)	.2362 [6]
	1/4" (.250)	.2500 [6.35]



TORQUE	SHAFT ϕ	A
DEFAULT / NO TORQUE ADDED	6mm (.236)	.2362 [6]
	1/4" (.250)	.2500 [6.35]
BALL BEARING	6mm (.236)	.2362 [6]
	1/4" (.250)	.2500 [6.35]

