

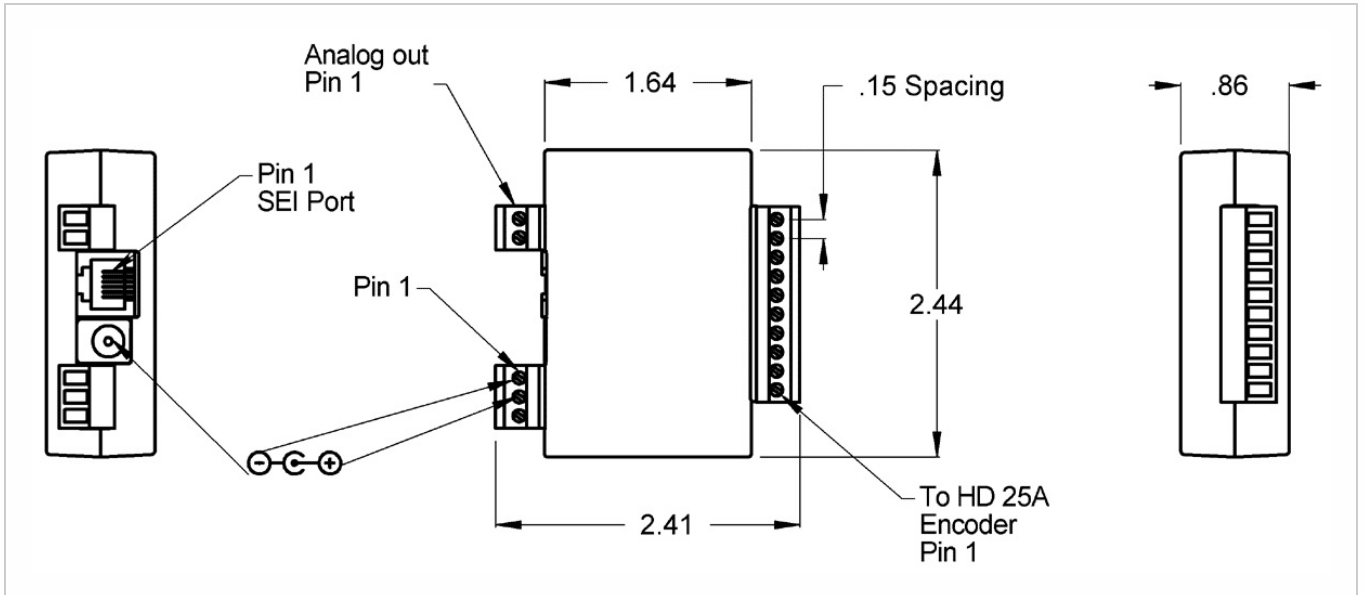


The AD7 is no longer available for purchase.

## AD7 Product Description

Connect the HD25A (<https://www.usdigital.com/products/encoders/absolute/shaft/hd25a/>) to the AD7 to have easy access to both the SEI (<https://www.usdigital.com/support/resources/reference/user-guides/sei-serial-encoder-interface-bus/>) bus and the analog output. The AD7 has both a power jack for plugging in a US Digital PS-12 (<https://www.usdigital.com/products/ps12/>) power supply and screw terminals for connecting a customer-supplied power supply (5.5 to 16VDC). DIN-rail mounting is available. There is a 6-pin RJ-12 female connector to connect the AD7 to the SEI bus via an AD2B (<https://www.usdigital.com/products/discontinued-products/discontinued-interfaces/ad2b/>) or SEI-USB (<https://www.usdigital.com/products/accessories/interfaces/usb/sei-usb/>). This, in turn, allows complete control of the HD25A via your PC. Analog+ and Analog- are available on a two-position screw terminal plug/socket on the AD7.

## Mechanical Drawings



## Specifications

### PIN-OUT

PIN	DESCRIPTION
1	DataH
2	Busy+
3	Analog+
4	Power
5	NC
6	Ground
7	Case Ground
8	DataL
9	Busy-
10	Analog-

**Note:** Please see the SEI (<https://www.usdigital.com/products/sei/>) page for more information on the **SEI** port pin-out.

### INCLUDED ACCESSORIES

PS-12 Power supply (<https://www.usdigital.com/products/power-supplies/standard/ps-12/>)

### Notes

- US Digital® warrants its products against defects in materials and workmanship for two years. See complete warranty (<https://www.usdigital.com/company/warranty/>) for details.