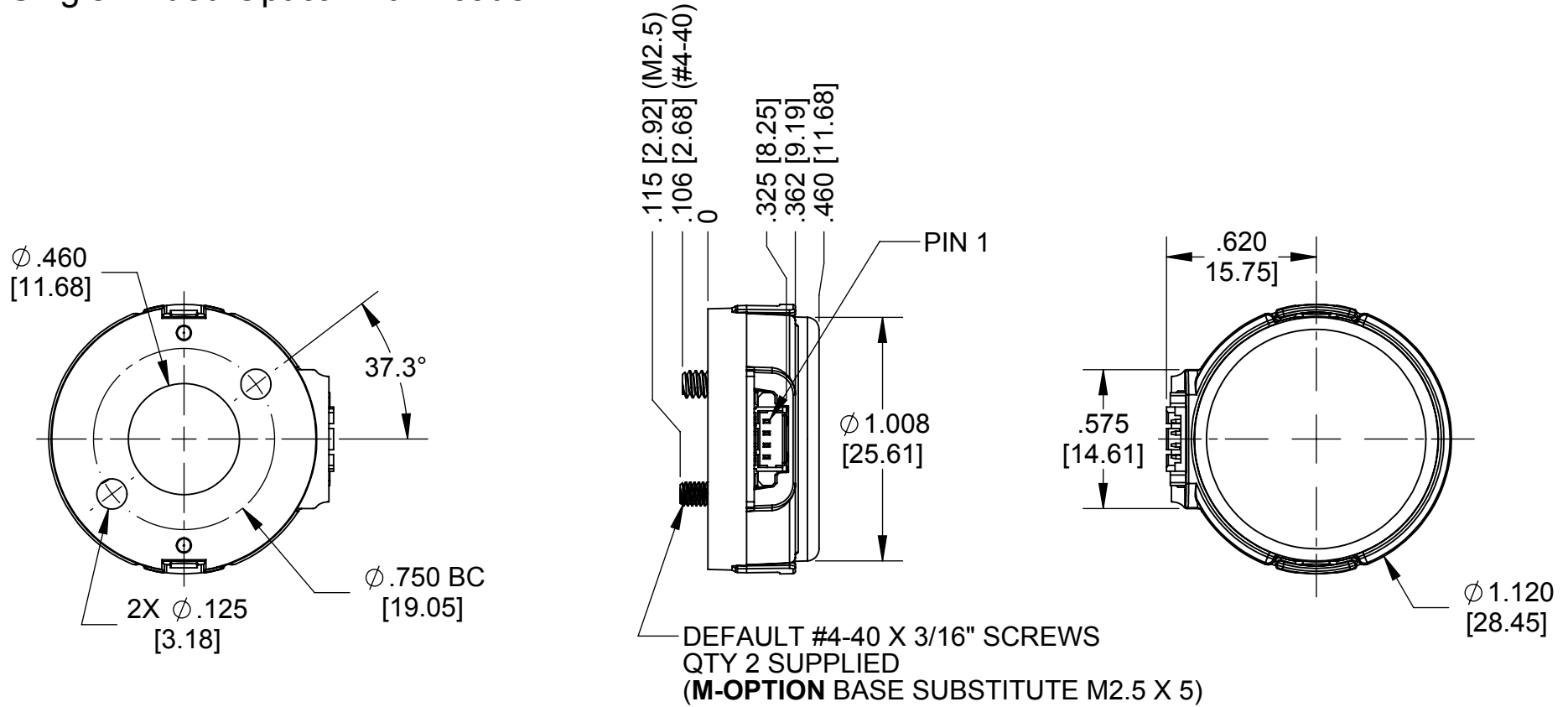
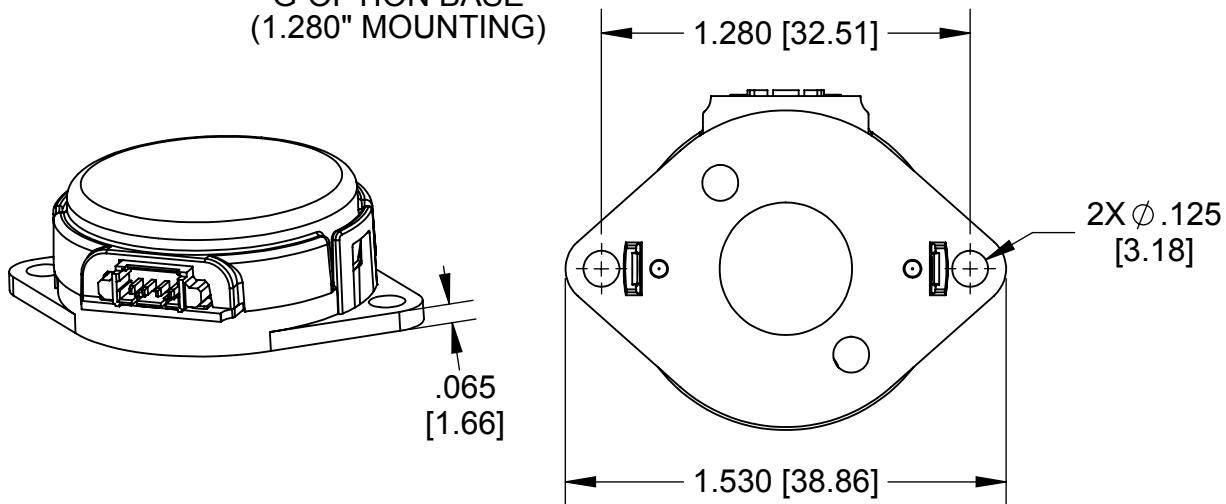


E8T Single-Ended Optical Kit Encoder

RELEASE DATE: 07/30/2020



G-OPTION BASE
(1.280" MOUNTING)



H-OPTION COVER
(COVER HOLE FOR EXTENDED SHAFTS)

