



CE Marking: Starting July 22nd, 2014, some US Digital products will contain the CE Marking. The **PS-12** will not contain a CE Marking and will **not** be available for shipping to CE Mark required countries (for example, all countries within the European Union (EU)) **after July 10th, 2014**. See the Product Change Notification PCN 4464 (https://www.usdigital.com/assets/pcns/PCN%20CE%20RoHS_4464.pdf) for more information, or contact a US Digital representative at sales@usdigital.com (<mailto:sales@usdigital.com>).

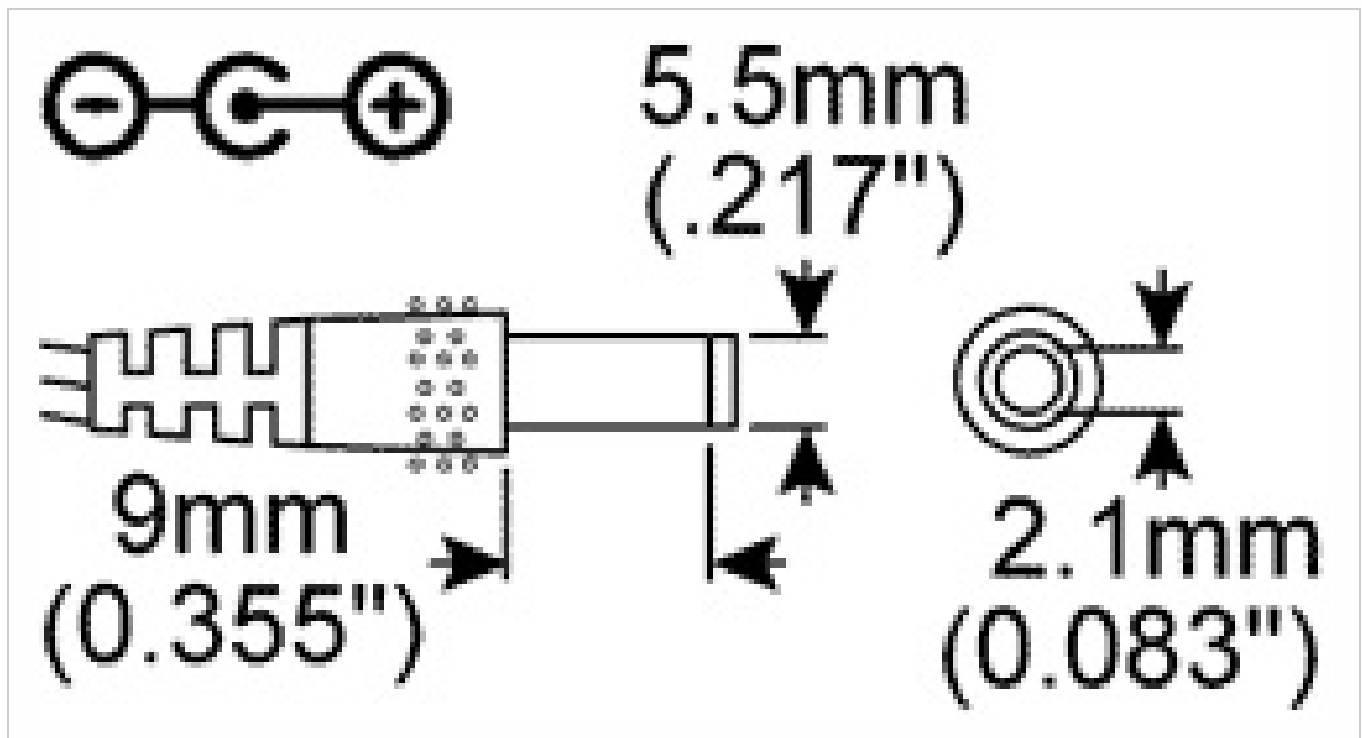
Material Compliance Statement: This product does NOT contain banned levels of substances as defined in European Directive 2011/65/EU. Specifically, Lead (Pb), Mercury (Hg), Cadmium (Cd), Hexavalent Chromium (CR+6), Poly Brominated Biphenyls (PBB), and Poly Brominated Diphenyl Ethers (PBDE) are not found above the threshold level given in the 2011/65/EU Directive.

PS-12 Product Description

The PS-12 is an 18 W regulated switching power supply that outputs 12 VDC @ 1.5 A. The power supply covers voltage inputs ranging from 90 VAC to 264 VAC. Typical efficiency is 70%, and the output is short circuit protected.

The output connector is a 2.1 mm circular plug attached to a 48-inch-long cable. The power supply plugs directly into a standard 120 VAC receptacle.

Mechanical Drawings



Specifications

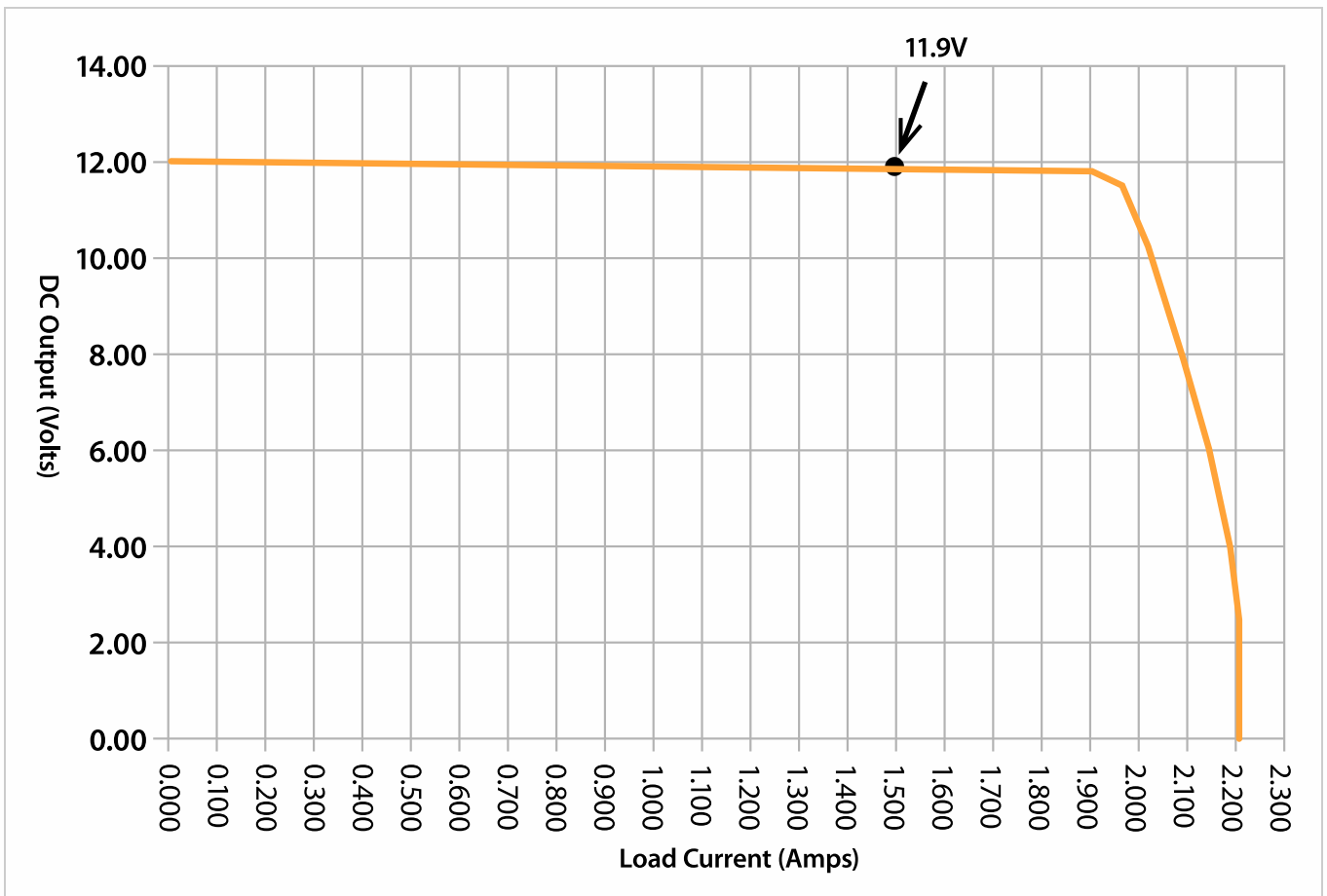


PS-12 Regulated Switching 12 V (1.5 A) Power Supply

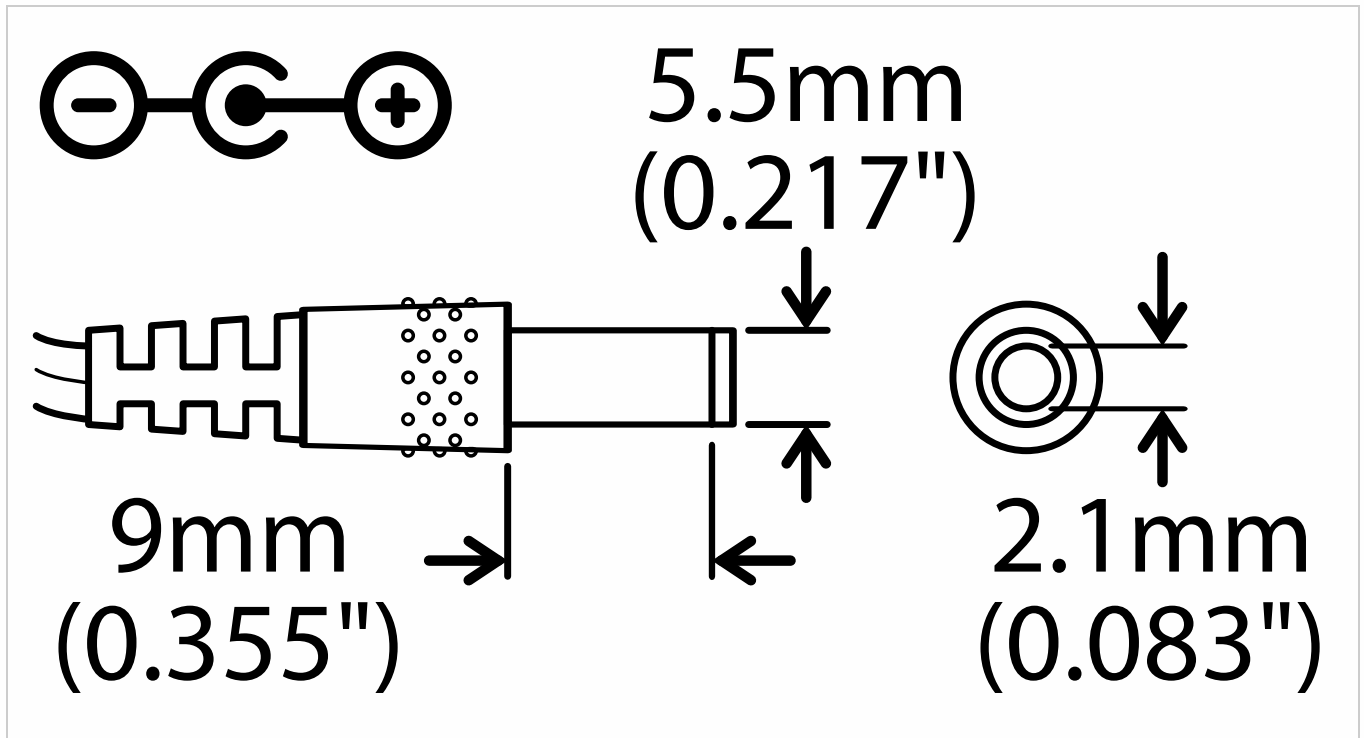
SPECIFICATIONS

Input Voltage	90 VAC to 264 VAC
Output Voltage	12 VDC \pm 5%
Input Frequency	47 Hz to 63 Hz
Ripple & Noise	\pm 120 mV maximum
Operating Temperature	0 C to 40 C
Storage Temperature	-20 C to 80 C
Protections	Over voltage, over current and short circuit
Certification	UL/IEC/EN 60950-1, 2nd. ed.
EMI	FCC, EN55022, CISPR 22 Class B
Efficiency	DOE 2013 Level VI
Size (inches)	2.83 x 2.05 x 1.34 inches

OUTPUT VOLTAGE VS. LOAD



CONNECTOR



PRODUCT CHANGE NOTIFICATIONS



Title	Date	Description	Download
PCN 4464 - CE - RoHS	6/30/2014	<p>US Digital is aware of the increasing attention to world-wide environmental regulations, specifically with regard to the need for hazardous substance restrictions in electronic components and systems. As of July 10th, 2014 US Digital will now be CE Marking certain products inline with compliance under RoHS Directive (2011/65/EU). In order to achieve RoHS Compliance, the products will not contain more than the acceptable levels of the listed restricted substances within the RoHS 2011/65/EU directive.</p> <p>Part Numbers Affected:</p> <ul style="list-style-type: none"> • ED3 • USB4 • QSB • SEI-USB • MD2S • PS-5, PS-12, PS-24, PS-48 (Power Supplies) • PE <p>For the part numbers listed above, US Digital cannot confirm that they meet Low-Voltage and EMC Directives and for that reason US Digital cannot support shipping those products / product families into the CE required countries (For Example countries in the EU). Those products can still be shipped to Non-CE required countries with a Statement of Material Conformance to the RoHS Directive 2011/65/EU, in place of a RoHS Compliance Declaration.</p>	<p>Download (https://www.usdigital.com/support/resources/product-change-notifications/pcn-4464-ce-rohs/)</p>

Notes

- US Digital® warrants its products against defects in materials and workmanship for two years. See complete warranty (<https://www.usdigital.com/company/warranty>) for details.