



**CE Marking:** Starting July 22nd, 2014, some US Digital products will contain the CE Marking. The **PS-12** will not contain a CE Marking and will **not** be available for shipping to CE Mark required countries (for example, all countries within the European Union (EU)) **after July 10th, 2014**. See the Product Change Notification PCN 4464 ([https://www.usdigital.com/assets/pcns/PCN%20CE%20RoHS\\_4464.pdf](https://www.usdigital.com/assets/pcns/PCN%20CE%20RoHS_4464.pdf)) for more information, or contact a US Digital representative at [sales@usdigital.com](mailto:sales@usdigital.com) (<mailto:sales@usdigital.com>).

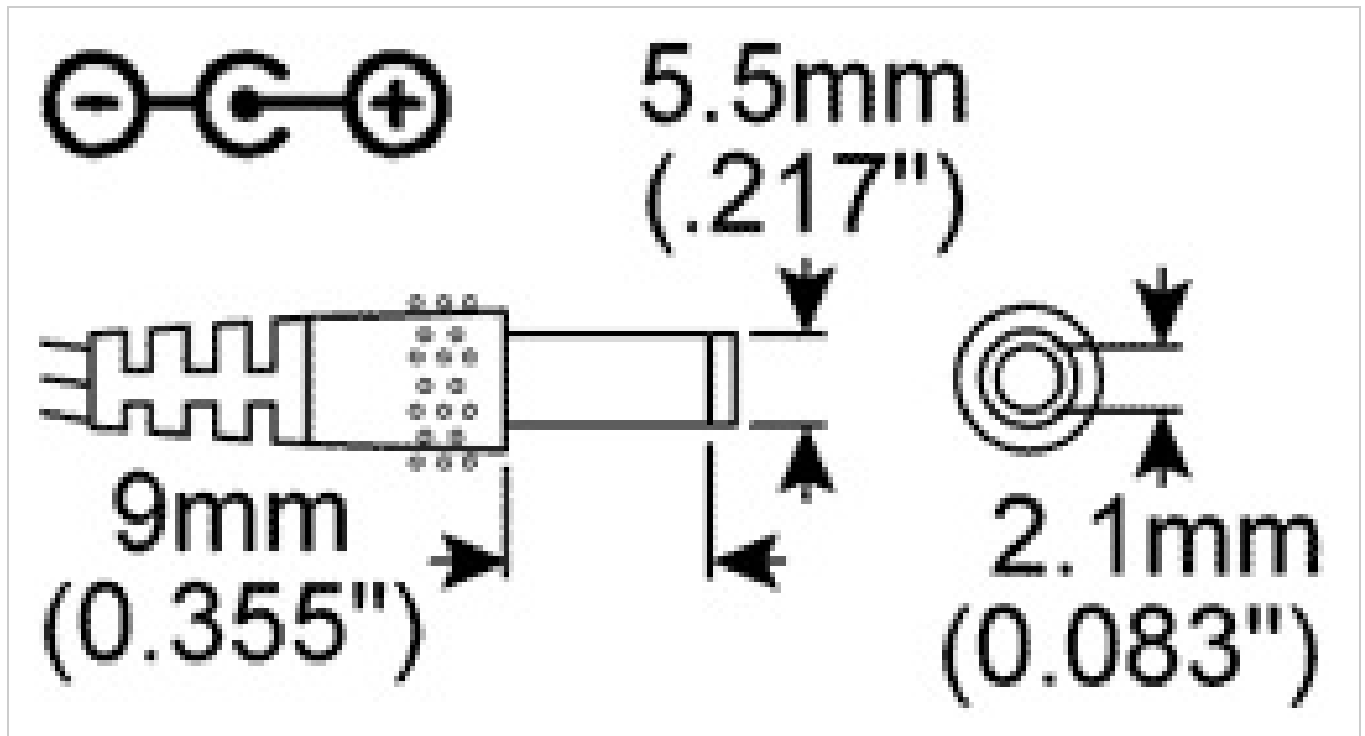
**Material Compliance Statement:** This product does NOT contain banned levels of substances as defined in European Directive 2011/65/EU. Specifically, Lead (Pb), Mercury (Hg), Cadmium (Cd), Hexavalent Chromium (CR+6), Poly Brominated Biphenyls (PBB), and Poly Brominated Diphenyl Ethers (PBDE) are not found above the threshold level given in the 2011/65/EU Directive.

## PS-12 Product Description

The PS-12 is an 18 W regulated switching power supply that outputs 12 VDC @ 1.5 A. The power supply covers voltage inputs ranging from 90 VAC to 264 VAC. Typical efficiency is 70%, and the output is short circuit protected.

The output connector is a 2.1 mm circular plug attached to a 48-inch-long cable. The power supply plugs directly into a standard 120 VAC receptacle.

## Mechanical Drawings



## Specifications

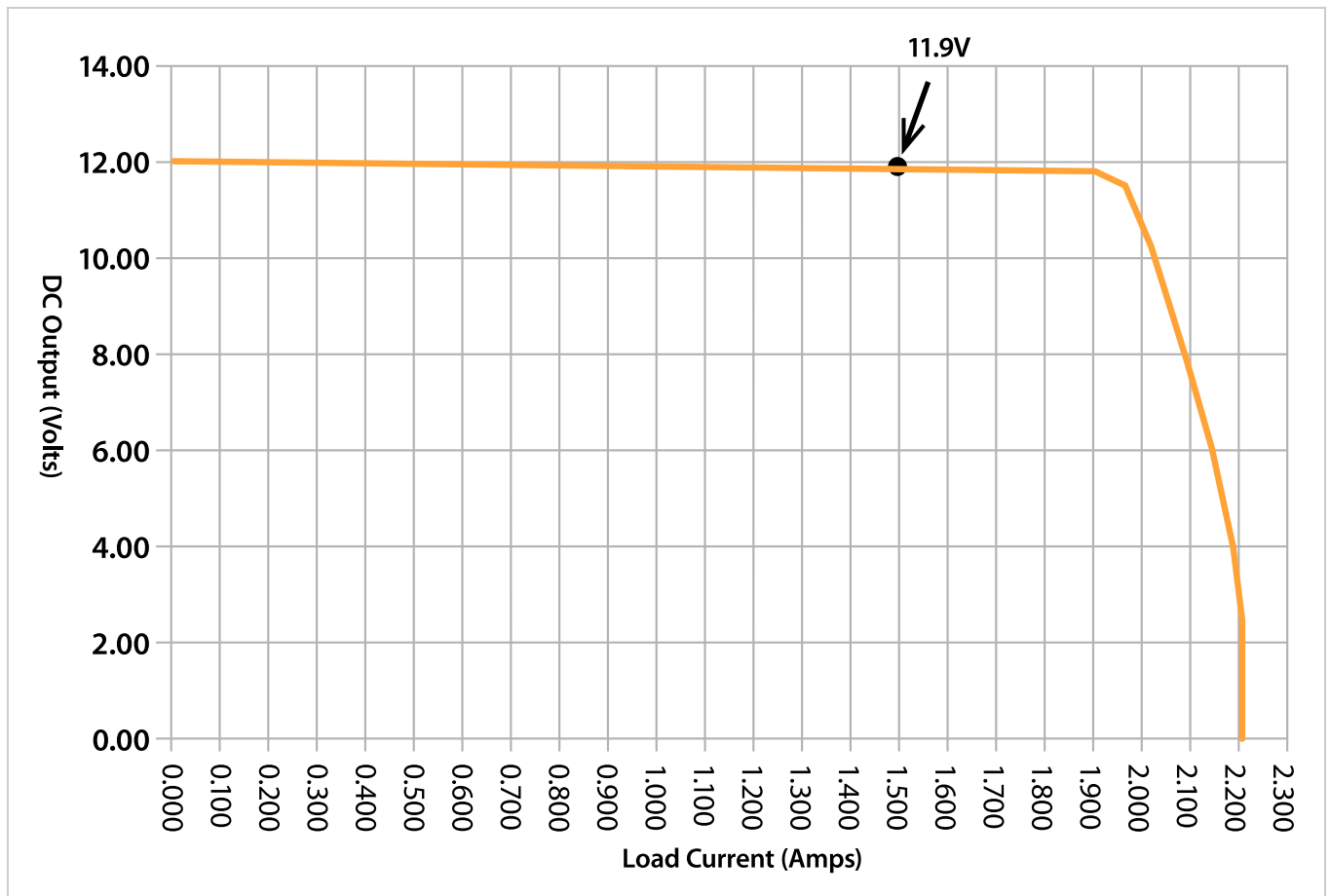


# PS-12 Regulated Switching 12 V (1.5 A) Power Supply

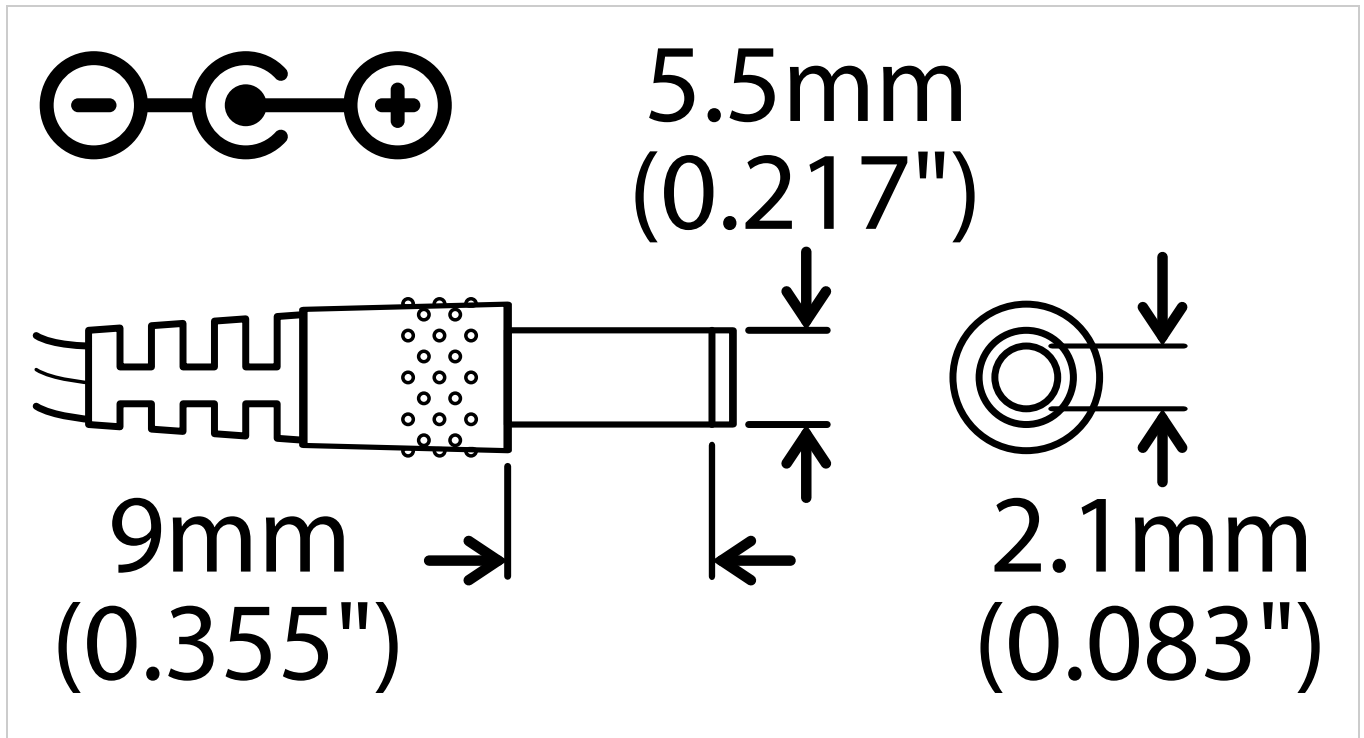
## SPECIFICATIONS

Input Voltage	90 VAC to 264 VAC
Output Voltage	12 VDC $\pm$ 5%
Input Frequency	47 Hz to 63 Hz
Ripple & Noise	$\pm$ 120 mV maximum
Operating Temperature	0 C to 40 C
Storage Temperature	-20 C to 80 C
Protections	Over voltage, over current and short circuit
Certification	UL/IEC/EN 60950-1, 2nd. ed.
EMI	FCC, EN55022, CISPR 22 Class B
Efficiency	DOE 2013 Level VI
Size (inches)	2.83 x 2.05 x 1.34 inches

## OUTPUT VOLTAGE VS. LOAD



## CONNECTOR



## Notes

- US Digital® warrants its products against defects in materials and workmanship for two years. See complete warranty (<https://www.usdigital.com/company/warranty>) for details.

## Configuration Options

PS-12

**PLEASE NOTE: This chart is for informational use only.** Certain product configuration combinations are not available. Visit the PS-12 product page (<https://www.usdigital.com/products/PS-12>) for pricing and additional information.