



**The PS-5 is no longer available for purchase.**

## PS-5 Product Description

The PS-5 is a 10W regulated switching power supply that outputs 5 VDC @ 2 A. The power supply covers voltage inputs ranging from 90 VAC to 264 VAC. The typical efficiency is 65%. The PS-5 has overvoltage, overload, and short circuit protection.

The output connector is a 2.1 mm circular plug attached to a 48-inch-long cable. The power supply plugs directly into a standard US 120 VAC receptacle.

## Specifications

### ELECTRICAL SPECIFICATIONS

Input Voltage	90 VAC to 264 VAC
Input Frequency	47 Hz to 63 Hz
Output Voltage	5 VDC $\pm$ 5%
Output Current	2.0 A
Line Regulation	$\pm$ 1 %
Efficiency	65%
Ripple & Noise	$\pm$ 50 mV maximum

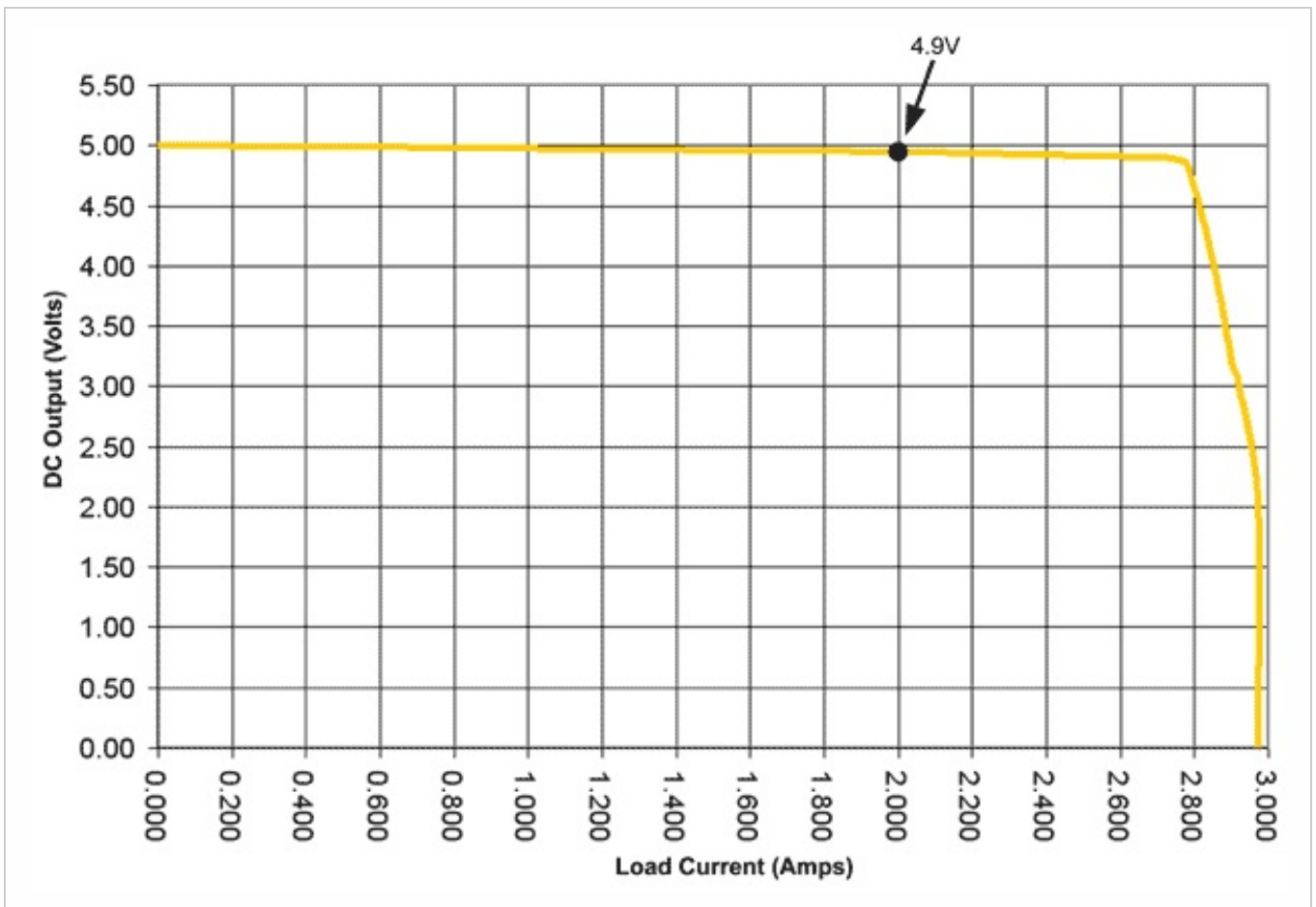


# PS-5 REGULATED SWITCHING 5 V (2 A) POWER SUPPLY

## ENVIRONMENTAL/SAFETY SPECS.

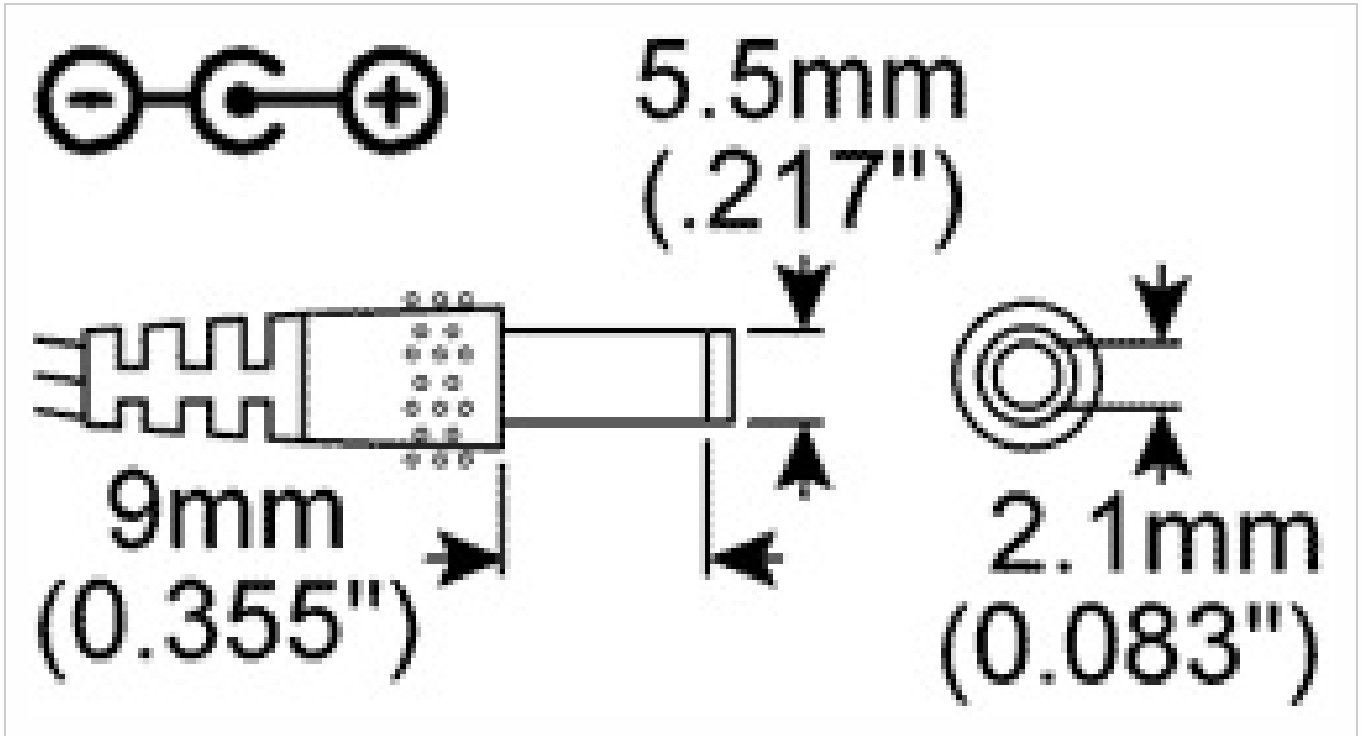
Operating Temperature	0 C to 40 C
Storage Temperature	-30 C to 80 C
Relative Humidity	5% to 95% RH, non-condensing
Protection	Overvoltage, Overload, and short-circuit
Safety Standards	UL1950, CB (per EN60950)
EMI	FCC Class B, CISPR 22 (EN55022) Class B
MTBF	> 100 kHours (25 C) per MIL-HDBK-217F

## OUTPUT VOLTAGE VS. LOAD





CONNECTOR



PRODUCT CHANGE NOTIFICATIONS



# PS-5 REGULATED SWITCHING 5 V (2 A) POWER SUPPLY

Title	Date	Description	Download
PCN 4464 - CE - RoHS	6/30/2014	<p>US Digital is aware of the increasing attention to world-wide environmental regulations, specifically with regard to the need for hazardous substance restrictions in electronic components and systems. As of July 10th, 2014 US Digital will now be CE Marking certain products inline with compliance under RoHS Directive (2011/65/EU). In order to achieve RoHS Compliance, the products will not contain more than the acceptable levels of the listed restricted substances within the RoHS 2011/65/EU directive.</p> <p>Part Numbers Affected:</p> <ul style="list-style-type: none"><li>• ED3</li><li>• USB4</li><li>• QSB</li><li>• SEI-USB</li><li>• MD2S</li><li>• PS-5, PS-12, PS-24, PS-48 (Power Supplies)</li><li>• PE</li></ul> <p>For the part numbers listed above, US Digital <b>cannot confirm</b> that they meet Low-Voltage and EMC Directives and for that reason <b>US Digital cannot support shipping those products / product families into the CE required countries</b> (For Example countries in the EU). Those products can still be shipped to Non-CE required countries with a Statement of Material Conformance to the RoHS Directive 2011/65/EU, in place of a RoHS Compliance Declaration.</p>	<p>Download</p> <p>(<a href="https://www.usdigital.com/support/resources/product-change-notifications/pcn-4464-ce-rohs/">https://www.usdigital.com/support/resources/product-change-notifications/pcn-4464-ce-rohs/</a>)</p>

## Notes

- Cables and connectors are not included and must be ordered separately.
- US Digital® warrants its products against defects in materials and workmanship for two years. See complete warranty (<https://www.usdigital.com/company/warranty>) for details.