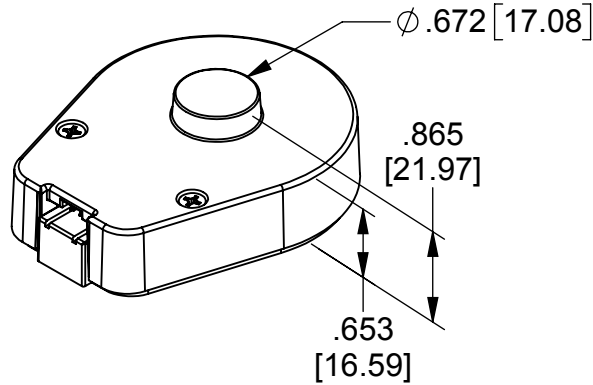
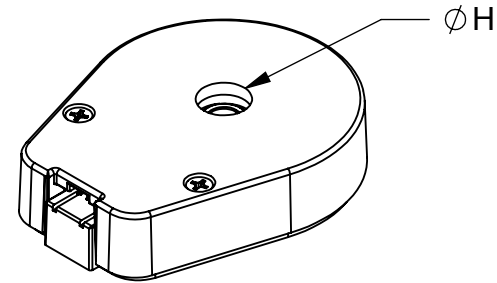


E6 Optical Kit Encoder (Base and Cover Options)

E-OPTION COVER
(EXTENSION FOR SHAFT
LENGTHS UP TO .750 [19.05])

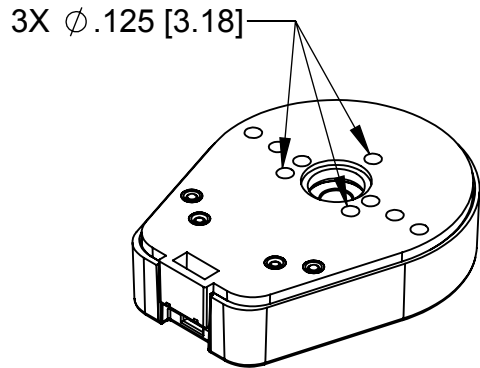


H-OPTION COVER
(HOLE FOR SHAFT
LENGTHS OVER .750 [19.05])

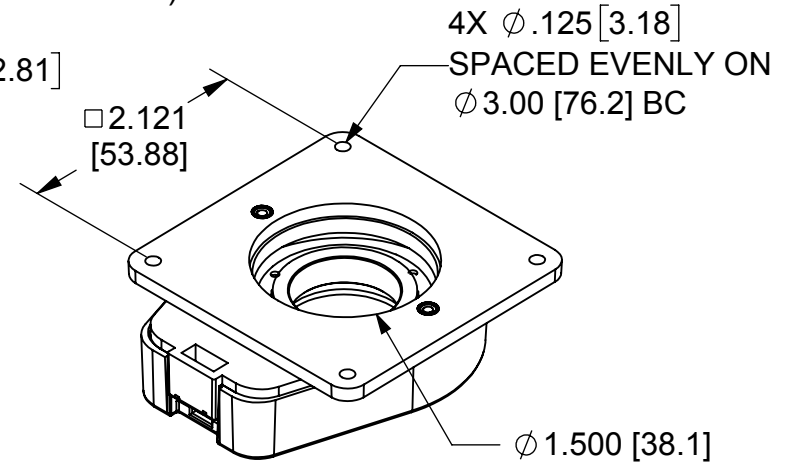
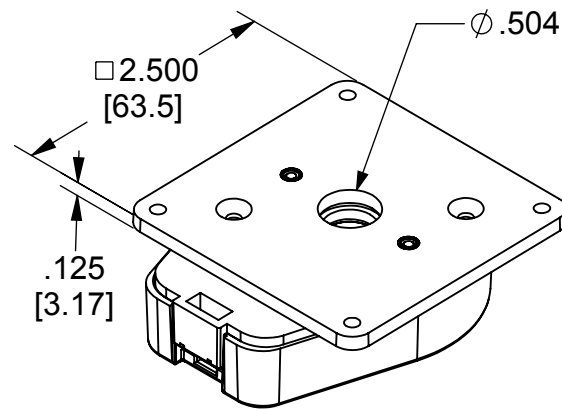


H=.438 [11.13] FOR SHAFT SIZES $\leq \phi .394 [10]$
H=1.047 [26.59] FOR SHAFT SIZES $> \phi .394 [10]$

3-OPTION BASE
(.078 HOLES BECOME .125)



M-OPTION BASE
(MOUNTING PLATE)



FOR SHAFTS $\leq \phi .394 [10]$

FOR SHAFTS $> \phi .394 [10]$

REQUIRES AN ADDITIONAL .125 [3.18] SHAFT LENGTH