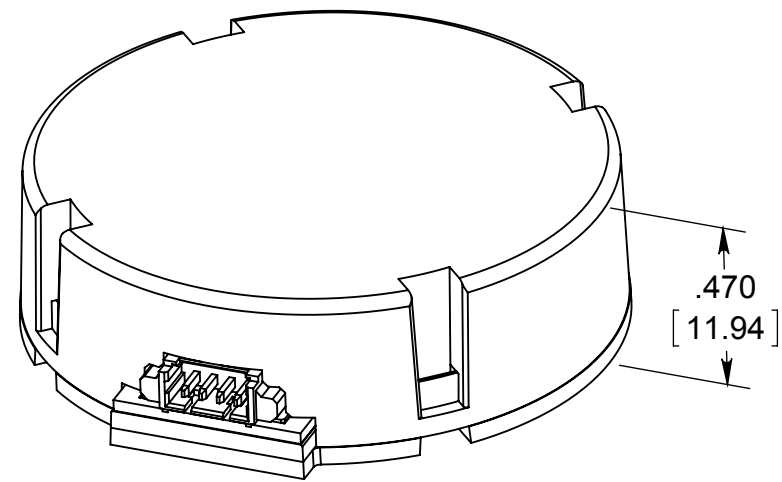
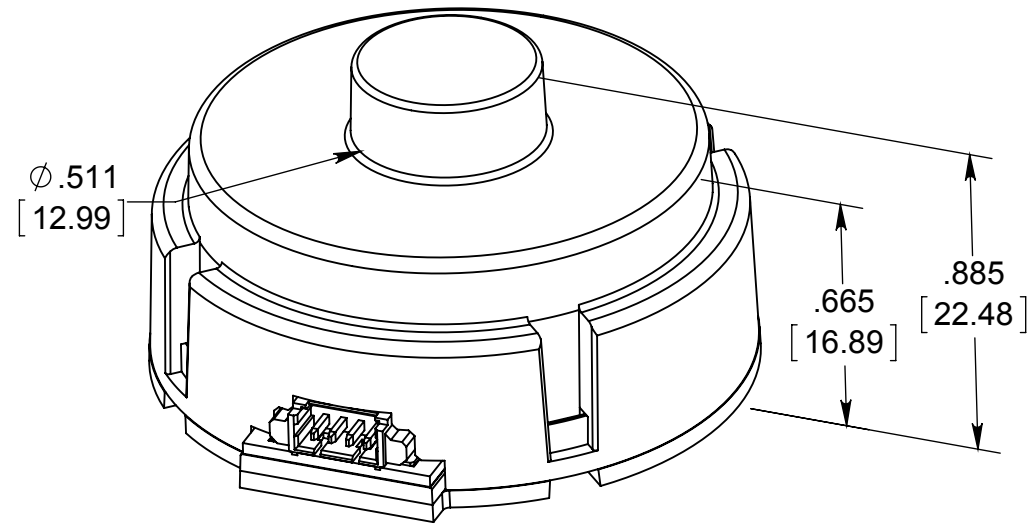


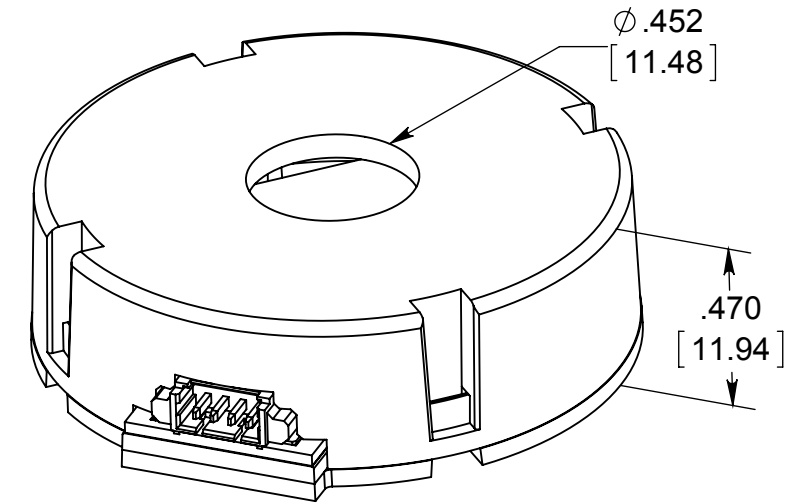
C-OPTION COVER
(COMPACT COVER FOR LOWER PROFILE
.430" MAX SHAFT LENGTH)



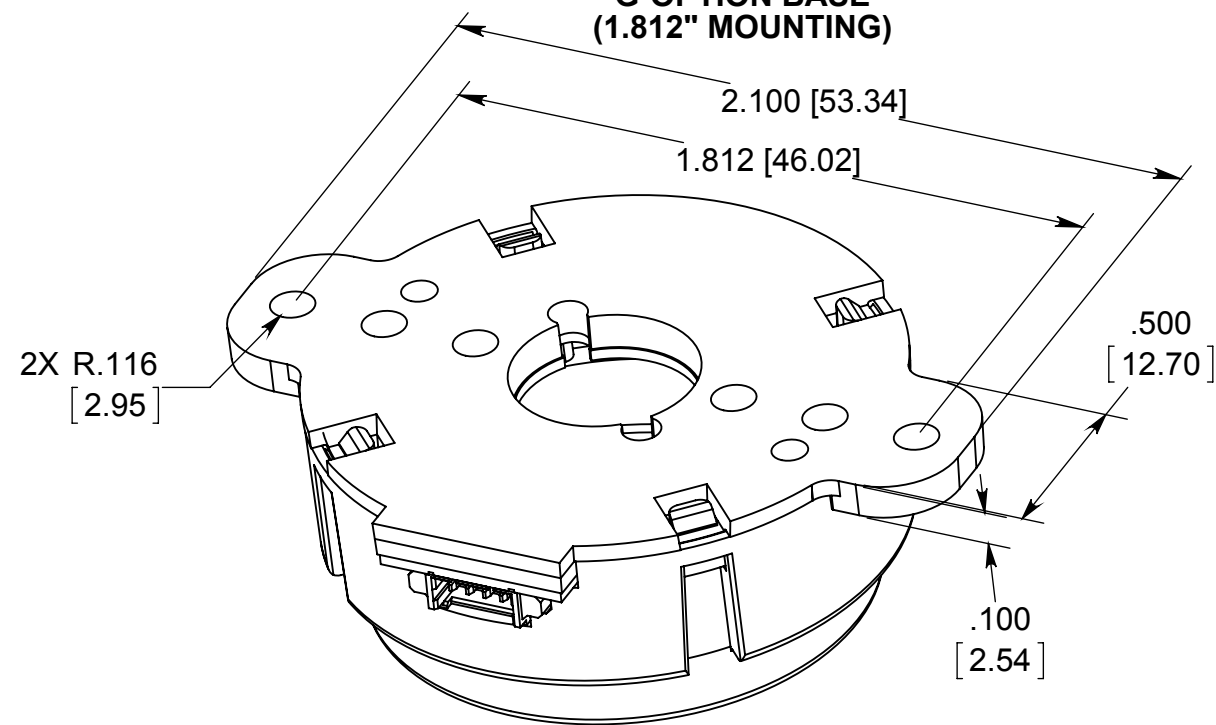
E-OPTION COVER
(EXTENSION FOR SHAFT LENGTHS .588" TO .836")



H-OPTION COVER
(COVER HOLE FOR EXTEND SHAFT LENGTHS)



G-OPTION BASE
(1.812" MOUNTING)



T-OPTION BASE
(ADHESIVE MOUNTING)

