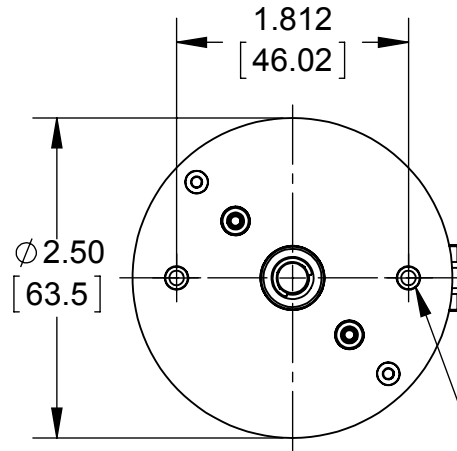
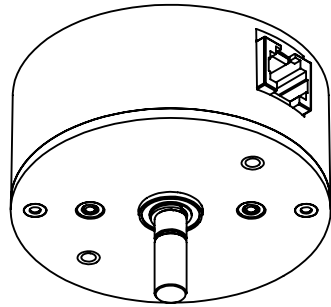
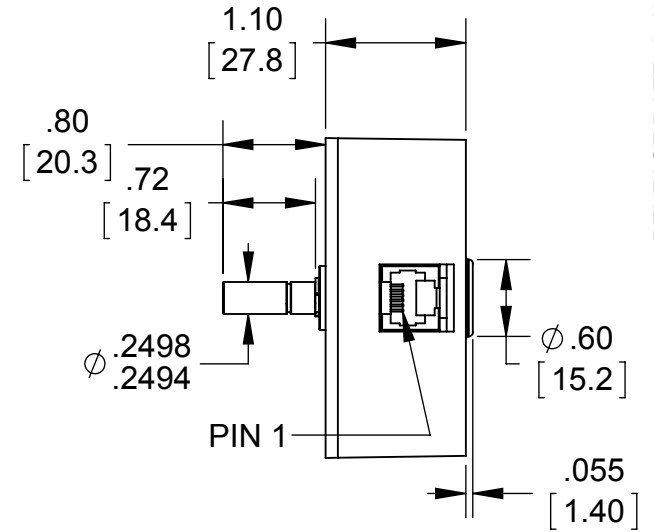


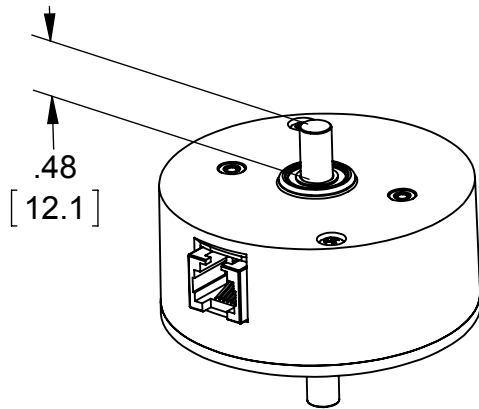
# A2 Absolute Optical Shaft Encoder Ball Bearing Version



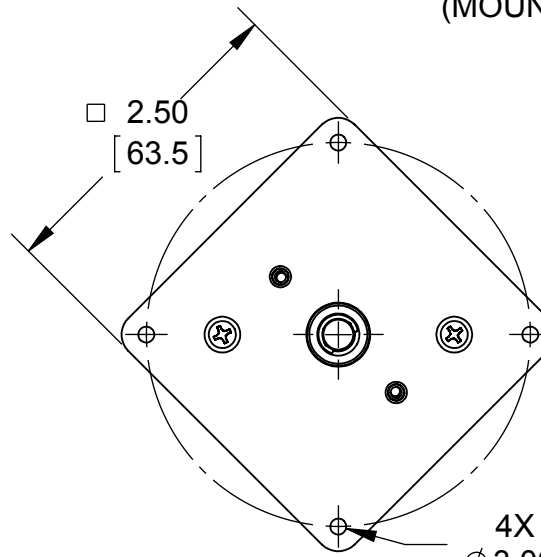
2X #4-40 MOUNTING HOLES  
.220 [5.59] MAX SCREW INSERTION



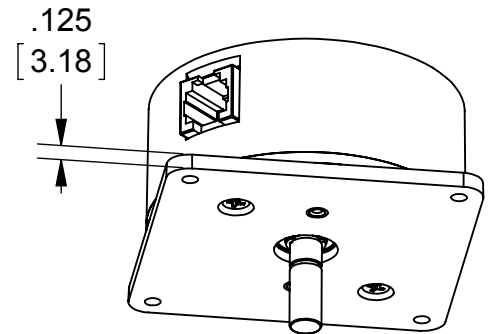
E-OPTION COVER  
(REAR SHAFT EXTENSION)



M-OPTION BASE  
(MOUNTING PLATE)



4X  $\phi$ .125 [3.18] THRU  
 $\phi$ 3.00 [76.2] BOLT CIRCLE



RELEASE DATE: 07/17/2014