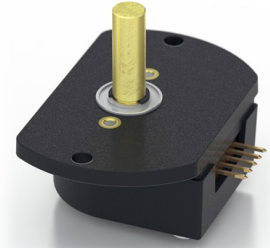


## H1 Features

- Ball-bearing option tracks to 10,000 RPM
- 2-channel quadrature, TTL squarewave outputs
- 3rd channel index option available on some resolutions
- 32 to 5,000 cycles per revolution (CPR)
- 128 to 20,000 pulses per revolution (PPR)
- Wide operating temperature
- Single +5VDC supply



## H1 Product Description

The H1 series ball-bearing optical shaft encoder has a glass-filled polymer enclosure. This non-contacting rotary to digital converter is designed to provide digital feedback information. The H1 is fully assembled with a brass shaft, two 1/4 in. ID by 1/2 in. OD ball bearings, and a mounting plate. The mounting plate comes with 2 mounting holes for #4 size screws.

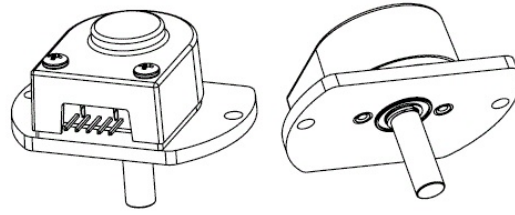


The H1 is designed to drive cables up to 10 feet long. For longer cable lengths, adding a PC4

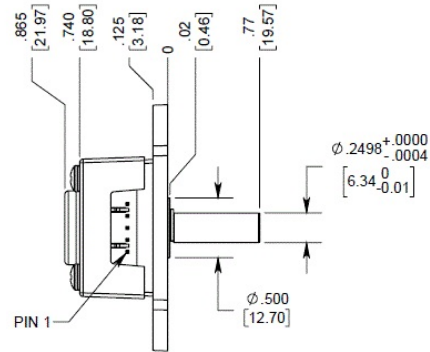
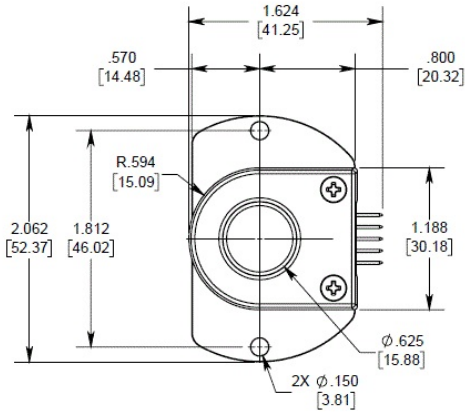
(<https://www.usdigital.com/products/accessories/interfaces/cable-drivers/pc4/>) / PC5 (<https://www.usdigital.com/products/interfaces/encoder/cable-drivers/pc5/>) differential line driver is recommended. A connection to the H1 series encoder is made through a 5-pin standard connector. The mating connectors are available from US Digital with several cable options and lengths.

## Mechanical Drawings

## H1 Ball Bearing Optical Shaft Encoder



RELEASE DATE: 04/27/2015



**US DIGITAL** 1400 NE 136th Avenue  
Vancouver, Washington 98684, USA

info@usdigital.com  
www.usdigital.com

Local: 360.260.2468  
Toll-free: 800.736.0194

UNITS: INCHES (MM)  
METRIC SHOWN FOR REFERENCE ONLY

## Specifications

### ENVIRONMENTAL

PARAMETER	VALUE	UNITS
Operating Temperature, CPR < 2000	-40 to 100	C
Operating Temperature, CPR ≥ 2000	-25 to 100	C
Electrostatic Discharge, IEC 61000-4-2	± 4	KV
Vibration (10Hz to 2kHz, sinusoidal)	20	G
Shock (6 milliseconds, half-sine)	75	G



## MECHANICAL

PARAMETER	VALUE
Max. Acceleration	100000 rad/sec <sup>2</sup>
Max. Shaft Speed (mechanical)	10000 RPM (1)
Max. Shaft Torque	0.05 in-oz
Max. Shaft Loading	2 lbs.
Bearing Life	life in millions of revs = $(90/P)^3$ where P = radial load in pounds
Weight	1.49 oz.
Max. Shaft Runout	0.006 in. T.I.R.
Mounting Plate Screw Torque	(#4-40) 4-6
Moment of Inertia	0.001 oz-in-s <sup>2</sup>
Technical Bulletin TB1001 - Shaft and Bore Tolerances	Download ( <a href="https://www.usdigital.com/support/resources/reference/technical-docs/technical-bulletins/shaft-and-bore-tolerances-tb1001/">https://www.usdigital.com/support/resources/reference/technical-docs/technical-bulletins/shaft-and-bore-tolerances-tb1001/</a> )

(1) The maximum speed due to electrical considerations is dependent on the CPR. See the EM1 (<https://www.usdigital.com/products/encoders/incremental/modules/em1/>) and EM2 (<https://www.usdigital.com/products/encoders/incremental/modules/em2/>) product pages.

## PHASE RELATIONSHIP

B leads A for clockwise shaft rotation, and A leads B for counterclockwise rotation when viewed from the shaft side of the encoder.



## ELECTRICAL

- Specifications apply over the entire operating temperature range.
- Typical values are specified at Vcc = 5.0Vdc and 25°C.
- For complete details, see the EM1 (<https://www.usdigital.com/products/encoders/incremental/modules/em1/>) or EM2 (<https://www.usdigital.com/products/encoders/incremental/modules/em2/>) product pages.

PARAMETER	MIN.	TYP.	MAX.	UNITS	CONDITIONS
Supply Voltage	4.5	5.0	5.5	V	
Supply Current		27	33	mA	CPR < 500, no load
		54	62	mA	CPR ≥ 500 and < 2000, no load
		72	85	mA	CPR ≥ 2000, no load
Low-level Output			0.5	V	I <sub>OL</sub> = 8mA max., CPR < 2000
			0.5	V	I <sub>OL</sub> = 5mA max., CPR ≥ 2000
			0.25	V	no load, CPR ≥ 2000
High-level Output	2.0			V	I <sub>OH</sub> = -8mA max. and CPR < 2000
	2.0			V	I <sub>OH</sub> = -5mA max. and CPR ≥ 2000
		4.8		V	no load and CPR < 2000
		3.5		V	no load and CPR ≥ 2000
Output Current Per Channel	-8		8	mA	CPR < 2000
	-5		5	mA	CPR ≥ 2000
Output Rise Time		110		nS	CPR < 2000
		50		nS	CPR ≥ 2000, ± 5mA load
Output Fall Time		100		nS	CPR < 2000
		50		nS	CPR ≥ 2000, ± 5mA load

## PIN-OUT

PIN	DESCRIPTION
1	Ground
2	Index
3	A channel
4	+5VDC power
5	B channel



## Notes

- Cables and connectors are not included and must be ordered separately.
- US Digital® warrants its products against defects in materials and workmanship for two years. See complete warranty (<https://www.usdigital.com/company/warranty>) for details.

## Configuration Options

H1	-	CPR (Cycles Per Revolution)	-	Index	-	Housing
		32		IE ( <i>Index</i> )		D ( <i>Default</i> )
		50		NE ( <i>Non-Index</i> )		
		96				
		100				
		192				
		200				
		250				
		256				
		360				
		400				
		500				
		512				
		540				
		720				
		800				
		900				
		1000				
		1024				
		1250				
		2000				
		2048				
		2500				
		4000				
		4096				
		5000				

**PLEASE NOTE: This chart is for informational use only.** Certain product configuration combinations are not available. Visit the H1 product page (<https://www.usdigital.com/products/H1>) for pricing and additional information.